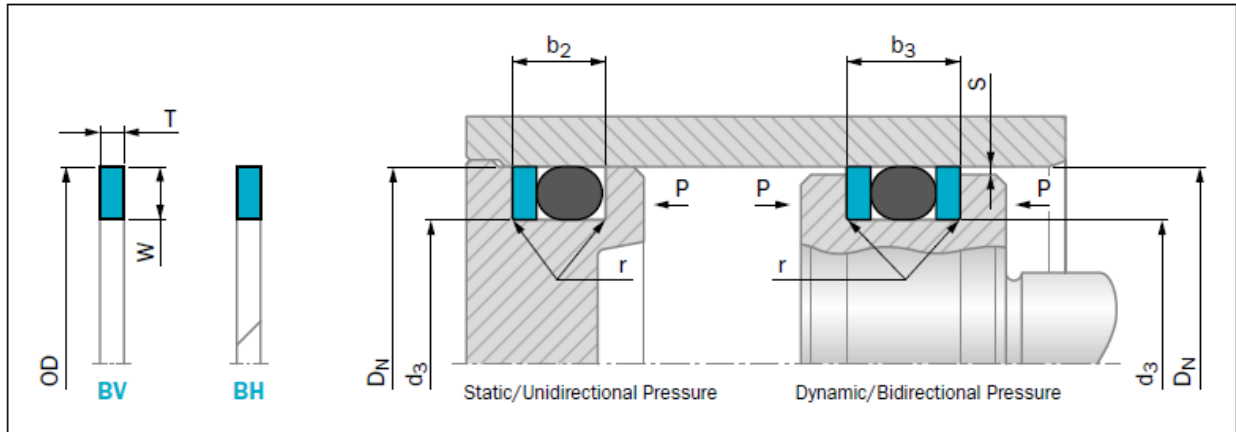


جدول بک آپ رینگ مدل BV و BH



O-Ring Cross-Section- $\phi$ $d_2$	Back-up Ring Cross-Section			Groove dimensions				
	Radial height W		Thickness	Groove diameter $d_3$ h9		Groove width		Radius
	Dynamic	Static	T	Dynamic	Static	$b_2 + 0.25$	$b_3 + 0.25$	$r \pm 0.2$
mm								
1.50	1.25	1.10	1.0	$D_N - 2.5$	$D_N - 2.2$	3.0	4.0	0.25
1.60	1.30	1.20	1.0	$D_N - 2.6$	$D_N - 2.4$	3.1	4.1	0.25
1.78	1.45	1.30	1.4	$D_N - 2.9$	$D_N - 2.6$	3.8	5.2	0.25
1.80	1.45	1.30	1.4	$D_N - 2.9$	$D_N - 2.6$	3.8	5.2	0.25
2.00	1.65	1.50	1.4	$D_N - 3.3$	$D_N - 3.0$	4.1	5.5	0.25
2.40	2.05	1.80	1.4	$D_N - 4.1$	$D_N - 3.6$	4.6	6.0	0.25
2.50	2.15	1.90	1.4	$D_N - 4.3$	$D_N - 3.8$	4.7	6.1	0.25
2.62	2.25	2.00	1.4	$D_N - 4.5$	$D_N - 4.0$	5.0	6.4	0.25
2.65	2.25	2.00	1.4	$D_N - 4.5$	$D_N - 4.0$	5.0	6.4	0.25
3.00	2.60	2.30	1.4	$D_N - 5.2$	$D_N - 4.6$	5.4	6.8	0.25
3.53	3.10	2.70	1.4	$D_N - 6.2$	$D_N - 5.4$	6.2	7.6	0.25
3.55	3.10	2.70	1.4	$D_N - 6.2$	$D_N - 5.4$	6.2	7.6	0.25
4.00	3.50	3.10	1.7	$D_N - 7.0$	$D_N - 6.2$	6.9	8.6	0.25
5.00	4.40	4.00	1.7	$D_N - 8.8$	$D_N - 8.0$	8.3	10.0	0.25
5.30	4.70	4.30	1.7	$D_N - 9.4$	$D_N - 8.6$	9.0	10.9	0.25
5.33	4.70	4.30	1.7	$D_N - 9.4$	$D_N - 8.6$	9.0	10.9	0.25
5.70	5.00	4.60	1.7	$D_N - 10.0$	$D_N - 9.2$	9.0	11.0	0.25
6.00	5.30	4.90	1.7	$D_N - 10.6$	$D_N - 9.8$	9.3	11.2	0.25
6.99	6.10	5.80	2.5	$D_N - 12.2$	$D_N - 11.6$	12.3	15.1	0.25
8.00	7.10	6.70	2.5	$D_N - 14.2$	$D_N - 13.4$	12.6	15.4	0.25
8.40	7.50	7.10	2.5	$D_N - 15.0$	$D_N - 14.2$	12.8	15.6	0.25

Preferred series for static applications, rectangular Back-up Ring

Types BV (uncut) and BH (cut), External sealing, material PTFE – Metric

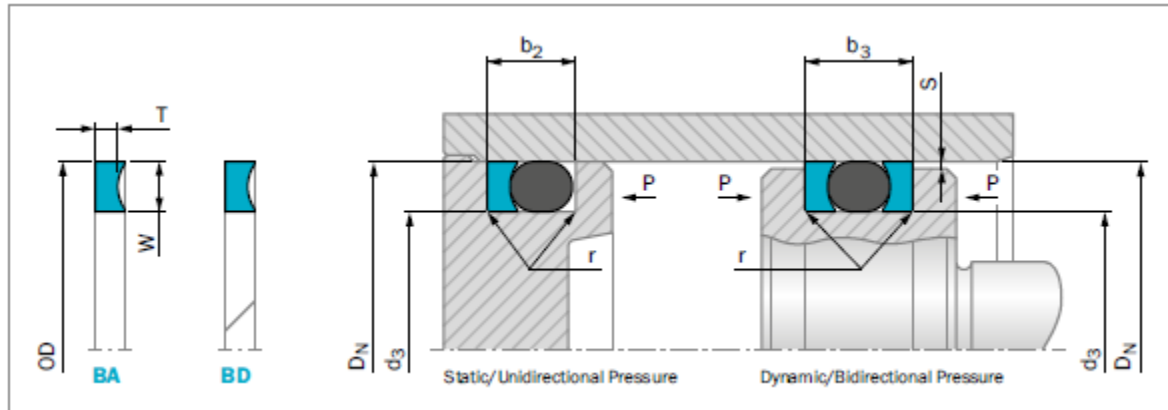
Bore Ø	Groove Ø	Groove width		Radius	Back-up Ring dimension	TSS Part No.		O-Ring TSS Part No.	O-Ring dimension
		$b_2 + 0.25$	$b_3 + 0.25$			$r \pm 0.2$	OD x W x T		
$D_N$ H8	$d_3$ h9								
mm									
6.0	3.4	3.8	5.2	0.25	6.0 x 1.3 x 1.4	BV1300060	BH1300060	ORAR00006	2.90 x 1.78
6.0	3.8	3.0	4.0	0.25	6.0 x 1.1 x 1.0	BV1100060	BH1100060	OR1500350	3.50 x 1.50
8.0	5.8	3.0	4.0	0.25	8.0 x 1.1 x 1.0	BV1100080	BH1100080	OR1500550	5.50 x 1.50
10.0	7.8	3.0	4.0	0.25	10.0 x 1.1 x 1.0	BV1100100	BH1100100	OR1500750	7.50 x 1.50
12.0	9.0	4.1	5.5	0.25	12.0 x 1.5 x 1.4	BV1500120	BH1500120	OR2000850	8.50 x 2.00
12.0	9.4	3.8	5.2	0.25	12.0 x 1.3 x 1.4	BV1300120	BH1300120	ORAR00012	9.25 x 1.78
14.0	11.0	4.1	5.5	0.25	14.0 x 1.5 x 1.4	BV1500140	BH1500140	OR2001000	10.00 x 2.00
14.0	11.4	3.8	5.2	0.25	14.0 x 1.3 x 1.4	BV1300140	BH1300140	ORAR00013	10.82 x 1.78
15.0	12.0	4.1	5.5	0.25	15.0 x 1.5 x 1.4	BV1500150	BH1500150	OR2001100	11.00 x 2.00
15.0	12.4	3.8	5.2	0.25	15.0 x 1.3 x 1.4	BV1300150	BH1300150	ORAR00014	12.42 x 1.78
16.0	13.0	4.1	5.5	0.25	16.0 x 1.5 x 1.4	BV1500160	BH1500160	OR2001200	12.00 x 2.00
16.0	13.4	3.8	5.2	0.25	16.0 x 1.3 x 1.4	BV1300160	BH1300160	ORAR00015	14.00 x 1.78
18.0	15.0	4.1	5.5	0.25	18.0 x 1.5 x 1.4	BV1500180	BH1500180	OR2001400	14.00 x 2.00
18.0	15.4	3.8	5.2	0.25	18.0 x 1.3 x 1.4	BV1300180	BH1300180	ORAR00016	15.60 x 1.78
20.0	17.0	4.1	5.5	0.25	20.0 x 1.5 x 1.4	BV1500200	BH1500200	OR2001600	16.00 x 2.00
20.0	17.4	3.8	5.2	0.25	20.0 x 1.3 x 1.4	BV1300200	BH1300200	ORAR00017	17.17 x 1.78
22.0	19.0	4.1	5.5	0.25	22.0 x 1.5 x 1.4	BV1500220	BH1500220	OR2001800	18.00 x 2.00
22.0	19.4	3.8	5.2	0.25	22.0 x 1.3 x 1.4	BV1300220	BH1300220	ORAR00018	18.77 x 1.78
25.0	22.0	4.1	5.5	0.25	25.0 x 1.5 x 1.4	BV1500250	BH1500250	OR2002100	21.00 x 2.00
25.0	22.4	3.8	5.2	0.25	25.0 x 1.3 x 1.4	BV1300250	BH1300250	ORAR00020	21.95 x 1.78
28.0	23.4	5.4	6.8	0.25	28.0 x 2.3 x 1.4	BV2300280	BH2300280	OR3002200	22.00 x 3.00
28.0	24.0	5.0	6.4	0.25	28.0 x 2.0 x 1.4	BV2000280	BH2000280	ORAR00119	23.47 x 2.62
30.0	25.4	5.4	6.8	0.25	30.0 x 2.3 x 1.4	BV2300300	BH2300300	OR3002400	24.00 x 2.00
30.0	26.0	5.0	6.4	0.25	30.0 x 2.0 x 1.4	BV2000300	BH2000300	ORAR00120	25.07 x 2.62
32.0	27.4	5.4	6.8	0.25	32.0 x 2.3 x 1.4	BV2300320	BH2300320	OR3002600	26.00 x 3.00
32.0	28.0	5.0	6.4	0.25	32.0 x 2.0 x 1.4	BV2000320	BH2000320	ORAR00121	26.64 x 2.62
35.0	30.4	5.4	6.8	0.25	35.0 x 2.3 x 1.4	BV2300350	BH2300350	OR3002900	29.30 x 3.00
35.0	31.0	5.0	6.4	0.25	35.0 x 2.0 x 1.4	BV2000350	BH2000350	ORAR00123	29.82 x 2.62

Bore Ø	Groove Ø	Groove width		Radius	Back-up Ring dimension	TSS Part No.		O-Ring TSS Part No.	O-Ring dimension
		b <sub>2</sub> +0.25	b <sub>3</sub> +0.25			r ±0.2	OD x W x T		
D <sub>N</sub> H8	d <sub>3</sub> h9	mm							
40.0	35.4	5.4	6.8	0.25	40.0 x 2.3 x 1.4	BV2300400	BH2300400	OR3003400	34.00 x 3.00
40.0	36.0	5.0	6.4	0.25	40.0 x 2.0 x 1.4	BV2000400	BH2000400	ORAR00126	34.59 x 2.62
42.0	37.4	5.4	6.8	0.25	42.0 x 2.3 x 1.4	BV2300420	BH2300420	OR3003600	36.00 x 3.00
42.0	38.0	5.0	6.4	0.25	42.0 x 2.0 x 1.4	BV2000420	BH2000420	ORAR00127	36.17 x 2.62
45.0	40.0	5.4	6.8	0.25	45.0 x 2.3 x 1.4	BV2300450	BH2300450	OR3003900	39.00 x 3.00
45.0	41.0	5.0	6.4	0.25	45.0 x 2.0 x 1.4	BV2000450	BH2000450	ORAR00129	39.34 x 2.62
48.0	41.8	6.9	8.6	0.25	48.0 x 3.1 x 1.7	BV3100480	BH3100480	OR4004000	40.00 x 4.00
48.0	42.6	6.2	7.6	0.25	48.0 x 2.7 x 1.4	BV2700480	BH2700480	ORAR00223	40.87 x 3.53
50.0	43.8	6.9	8.6	0.25	50.0 x 3.1 x 1.7	BV3100500	BH3100500	OR4004200	42.00 x 4.00
50.0	44.6	6.2	7.6	0.25	50.0 x 2.7 x 1.4	BV2700500	BH2700500	ORAR00224	44.04 x 3.53
52.0	45.8	6.9	8.6	0.25	52.0 x 3.1 x 1.7	BV3100520	BH3100520	OR4004400	44.00 x 4.00
52.0	46.6	6.2	7.6	0.25	52.0 x 2.7 x 1.4	BV2700520	BH2700520	ORAR0022	44.04 x 3.53
55.0	48.8	6.9	8.6	0.25	55.0 x 3.1 x 1.7	BV3100550	BH3100550	OR4004700	47.00 x 4.00
55.0	49.6	6.2	7.6	0.25	55.0 x 2.7 x 1.4	BV2700550	BH2700550	ORAR00225	47.22 x 3.53
60.0	53.8	6.9	8.6	0.25	60.0 x 3.1 x 1.7	BV3100600	BH3100600	OR4005200	52.00 x 4.00
60.0	54.6	6.2	7.6	0.25	60.0 x 2.7 x 1.4	BV2700600	BH2700600	ORAR00227	53.57 x 3.53
63.0	56.8	6.9	8.6	0.25	63.0 x 3.1 x 1.7	BV3100630	BH3100630	OR4005500	55.00 x 4.00
63.0	57.6	6.2	7.6	0.25	63.0 x 2.7 x 1.4	BV2700630	BH2700630	ORAR00228	56.74 x 3.53
65.0	58.8	6.9	8.6	0.25	65.0 x 3.1 x 1.7	BV3100650	BH3100650	OR4005700	57.00 x 4.00
65.0	59.6	6.2	7.6	0.25	65.0 x 2.7 x 1.4	BV2700650	BH2700650	ORAR00228	56.74 x 3.53
70.0	63.8	6.9	8.6	0.25	70.0 x 3.1 x 1.7	BV3100700	BH3100700	OR4006200	62.00 x 4.00
70.0	64.6	6.2	7.6	0.25	70.0 x 2.7 x 1.4	BV2700700	BH2700700	ORAR00230	63.09 x 3.53
75.0	68.8	6.9	8.6	0.25	75.0 x 3.1 x 1.7	BV3100750	BH3100750	OR4006700	67.00 x 4.00
75.0	69.6	6.2	7.6	0.25	75.0 x 2.7 x 1.4	BV2700750	BH2700750	ORAR00231	66.27 x 3.53
80.0	73.8	6.9	8.6	0.25	80.0 x 3.1 x 1.7	BV3100800	BH3100800	OR4007200	72.00 x 4.00
80.0	74.6	6.2	7.6	0.25	80.0 x 2.7 x 1.4	BV2700800	BH2700800	ORAR00233	72.62 x 3.53
85.0	78.8	6.9	8.6	0.25	85.0 x 3.1 x 1.7	BV3100850	BH3100850	OR4007700	77.00 x 4.00
85.0	79.6	6.2	7.6	0.25	85.0 x 2.7 x 1.4	BV2700850	BH2700850	ORAR00235	78.97 x 3.53
90.0	81.4	9.0	10.9	0.25	90.0 x 4.3 x 1.7	BV4300900	BH4300900	ORAR00338	78.74 x 5.33
90.0	82.0	8.3	10.0	0.25	90.0 x 4.0 x 1.7	BV4000900	BH4000900	OR5008000	80.00 x 5.00
95.0	86.4	9.0	10.9	0.25	95.0 x 4.3 x 1.7	BV4300950	BH4300950	ORAR00340	85.09 x 5.33
95.0	87.0	8.3	10.0	0.25	95.0 x 4.0 x 1.7	BV4000950	BH4000950	OR5008000	80.00 x 5.00
100.0	91.4	9.0	10.9	0.25	100.0 x 4.3 x 1.7	BV4301000	BH4301000	ORAR0034	91.44 x 5.33
100.0	92.0	8.3	10.0	0.25	100.0 x 4.0 x 1.7	BV4001000	BH4001000	OR5009000	90.00 x 5.00
105.0	96.4	9.0	10.9	0.25	105.0 x 4.3 x 1.7	BV4301050	BH4301050	ORAR00343	94.62 x 5.33
105.0	97.0	8.3	10.0	0.25	105.0 x 4.0 x 1.7	BV4001050	BH4001050	OR5009500	95.00 x 5.00
110.0	101.4	9.0	10.9	0.25	110.0 x 4.3 x 1.7	BV4301100	BH4301100	ORAR00345	100.97 x 5.33
110.0	102.0	8.3	10.0	0.25	110.0 x 4.0 x 1.7	BV4001100	BH4001100	OR5010000	100.00 x 5.00
115.0	106.4	9.0	10.9	0.25	115.0 x 4.3 x 1.7	BV4301150	BH4301150	ORAR00346	104.14 x 5.33
115.0	107.0	8.3	10.0	0.25	115.0 x 4.0 x 1.7	BV4001150	BH4001150	OR5010500	105.00 x 5.00
120.0	111.4	9.0	10.9	0.25	120.0 x 4.3 x 1.7	BV4301200	BH4301200	ORAR00348	110.49 x 5.33
120.0	112.0	8.3	10.0	0.25	120.0 x 4.0 x 1.7	BV4001200	BH4001200	OR5011000	110.00 x 5.00

$\emptyset$	$\emptyset$				dimension			TSS Part	dimension
$D_N$ H8	$d_3$ h9	$b_2 +0.25$	$b_3 +0.25$	$r \pm 0.2$	OD x W x T	Uncut (BV)	Cut (BH)	No.	$d_1 \times d_2$
mm									
125.0	116.4	9.0	10.9	0.25	125.0 x 4.3 x 1.7	BV4301250	BH4301250	ORAR00349	113.67 x 5.33
125.0	117.0	8.3	10.0	0.25	125.0 x 4.0 x 1.7	BV4001250	BH4001250	OR5011500	115.00 x 5.00
130.0	121.4	9.0	10.9	0.25	130.0 x 4.3 x 1.7	BV4301300	BH4301300	ORAR00351	120.02 x 5.33
130.0	122.0	8.3	10.0	0.25	130.0 x 4.0 x 1.7	BV4001300	BH4001300	OR5012000	120.00 x 5.00
135.0	123.4	12.3	15.1	0.25	135.0 x 5.8 x 2.5	BV5801350	BH5801350	ORAR00427	120.02 x 6.99
140.0	128.4	12.3	15.1	0.25	140.0 x 5.8 x 2.5	BV5801400	BH5801400	ORAR00429	126.37 x 6.99
150.0	138.4	12.3	15.1	0.25	150.0 x 5.8 x 2.5	BV5801500	BH5801500	ORAR00432	135.89 x 6.99
160.0	148.4	12.3	15.1	0.25	160.0 x 5.8 x 2.5	BV5801600	BH5801600	ORAR00435	145.42 x 6.99
170.0	158.4	12.3	15.1	0.25	170.0 x 5.8 x 2.5	BV5801700	BH5801700	ORAR00438	158.12 x 6.99
180.0	168.4	12.3	15.1	0.25	180.0 x 5.8 x 2.5	BV5801800	BH5801800	ORAR00439	164.47 x 6.99
190.0	178.4	12.3	15.1	0.25	190.0 x 5.8 x 2.5	BV5801900	BH5801900	ORAR00441	177.17 x 6.99
200.0	188.4	12.3	15.1	0.25	200.0 x 5.8 x 2.5	BV5802000	BH5802000	ORAR00442	183.52 x 6.99
210.0	198.4	12.3	15.1	0.25	210.0 x 5.8 x 2.5	BV5802100	BH5802100	ORAR00444	196.22 x 6.99
220.0	208.4	12.3	15.1	0.25	220.0 x 5.8 x 2.5	BV5802200	BH5802200	ORAR00445	202.57 x 6.99
230.0	218.4	12.3	15.1	0.25	230.0 x 5.8 x 2.5	BV5802300	BH5802300	ORAR00446	215.27 x 6.99
240.0	228.4	12.3	15.1	0.25	240.0 x 5.8 x 2.5	BV5802400	BH5802400	ORAR00447	227.97 x 6.99
250.0	238.4	12.3	15.1	0.25	250.0 x 5.8 x 2.5	BV5802500	BH5802500	ORAR00448	240.67 x 6.99
280.0	268.4	12.3	15.1	0.25	280.0 x 5.8 x 2.5	BV5802800	BH5802800	ORAR00450	266.07 x 6.99
300.0	288.4	12.3	15.1	0.25	300.0 x 5.8 x 2.5	BV5803000	BH5803000	ORAR00451	278.77 x 6.99
320.0	308.4	12.3	15.1	0.25	320.0 x 5.8 x 2.5	BV5803200	BH5803200	ORAR00453	304.17 x 6.99
350.0	338.4	12.3	15.1	0.25	350.0 x 5.8 x 2.5	BV5803500	-	ORAR00455	329.57 x 6.99
400.0	388.4	12.3	15.1	0.25	400.0 x 5.8 x 2.5	BV5804000	-	ORAR00459	380.37 x 6.99
420.0	408.4	12.3	15.1	0.25	420.0 x 5.8 x 2.5	BV5804200	-	ORAR00461	405.26 x 6.99
450.0	438.4	12.3	15.1	0.25	450.0 x 5.8 x 2.5	BV5804500	-	ORAR00463	430.66 x 6.99
480.0	468.4	12.3	15.1	0.25	480.0 x 5.8 x 2.5	BV5804800	-	ORAR00465	456.06 x 6.99
500.0	488.4	12.3	15.1	0.25	500.0 x 5.8 x 2.5	BV5805000	-	ORAR00467	481.46 x 6.99

## CONCAVE BACK-UP RING TYPES, UNCUT (BA) AND CUT (BD), MATERIAL PTFE

The following figure and tables include installation recommendations and Back-up Ring dimensions for external sealing applications with the concave Back-up Ring types BA (uncut) and BD (cut).



Installation dimensions for concave Back-up Ring types, uncut and cut,

External sealing, material PTFE – Metric

O-Ring Cross-Section- $\phi$ $d_2$	Back-up Ring Cross-Section			Groove dimensions				
	Radial height W		Thickness	Groove diameter $d_3$ h9		Groove width		Radius
	Dynamic	Static	T	Dynamic	Static	$b_2 + 0.25$	$b_3 + 0.25$	$r \pm 0.2$
mm								
1.50	1.25	1.10	1.00	$D_N - 2.5$	$D_N - 2.2$	3.00	4.00	0.25
1.60	1.30	1.20	1.00	$D_N - 2.6$	$D_N - 2.4$	3.10	4.10	0.25
1.78	1.45	1.30	1.40	$D_N - 2.9$	$D_N - 2.6$	3.80	5.20	0.25
1.80	1.45	1.30	1.40	$D_N - 2.9$	$D_N - 2.6$	3.80	5.20	0.25
2.00	1.65	1.50	1.40	$D_N - 3.3$	$D_N - 3.0$	4.10	5.50	0.25
2.40	2.05	1.80	1.40	$D_N - 4.1$	$D_N - 3.6$	4.60	6.00	0.25
2.50	2.15	1.90	1.40	$D_N - 4.3$	$D_N - 3.8$	4.70	6.10	0.25
2.62	2.25	2.00	1.40	$D_N - 4.5$	$D_N - 4.0$	5.00	6.40	0.25
2.65	2.25	2.00	1.40	$D_N - 4.5$	$D_N - 4.0$	5.00	6.40	0.25
3.00	2.60	2.30	1.40	$D_N - 5.2$	$D_N - 4.6$	5.40	6.80	0.25
3.53	3.10	2.70	1.40	$D_N - 6.2$	$D_N - 5.4$	6.20	7.60	0.25
3.55	3.10	2.70	1.40	$D_N - 6.2$	$D_N - 5.4$	6.20	7.60	0.25
4.00	3.50	3.10	1.70	$D_N - 7.0$	$D_N - 6.2$	6.90	8.60	0.25
5.00	4.40	4.00	1.70	$D_N - 8.8$	$D_N - 8.0$	8.30	10.00	0.25
5.30	4.70	4.30	1.70	$D_N - 9.4$	$D_N - 8.6$	9.00	10.90	0.25
5.33	4.70	4.30	1.70	$D_N - 9.4$	$D_N - 8.6$	9.00	10.90	0.25
5.70	5.00	4.60	1.70	$D_N - 10.0$	$D_N - 9.2$	9.00	11.00	0.25
6.00	5.30	4.90	1.70	$D_N - 10.6$	$D_N - 9.8$	9.30	11.20	0.25
6.99	6.10	5.80	2.50	$D_N - 12.2$	$D_N - 11.6$	12.30	15.10	0.25
8.00	7.10	6.70	2.50	$D_N - 14.2$	$D_N - 13.4$	12.60	15.40	0.25
8.40	7.50	7.10	2.50	$D_N - 15.0$	$D_N - 14.2$	12.80	15.60	0.25

Preferred series for static applications, concave Back-up Ring

Type BD (cut), External sealing, material PTFE – Metric

Bore Ø	Groove Ø	Groove width		Radius	Back-up Ring dimension	TSS Part No.	O-Ring TSS Part No.	O-Ring dimension
		b <sub>2</sub> +0.25	b <sub>3</sub> +0.25					
mm								
6.0	3.4	3.8	5.2	0.25	6.0 x 1.3 x 1.4	BD1300060	ORAR00006	2.90 x 1.78
6.0	3.8	3.0	4.0	0.25	6.0 x 1.1 x 1.0	BD1100060	OR1500350	3.50 x 1.50
8.0	5.8	3.0	4.0	0.25	8.0 x 1.1 x 1.0	BD1100080	OR1500550	5.50 x 1.50
10.0	7.8	3.0	4.0	0.25	10.0 x 1.1 x 1.0	BD1100100	OR1500750	7.50 x 1.50
12.0	9.0	4.1	5.5	0.25	12.0 x 1.5 x 1.4	BD1500120	OR2000850	8.50 x 2.00
12.0	9.4	3.8	5.2	0.25	12.0 x 1.3 x 1.4	BD1300120	ORAR00012	9.25 x 1.78
14.0	11.0	4.1	5.5	0.25	14.0 x 1.5 x 1.4	BD1500140	OR2001000	10.00 x 2.00
14.0	11.4	3.8	5.2	0.25	14.0 x 1.3 x 1.4	BD1300140	ORAR00013	10.82 x 1.78
15.0	12.0	4.1	5.5	0.25	15.0 x 1.5 x 1.4	BD1500150	OR2001100	11.00 x 2.00
15.0	12.4	3.8	5.2	0.25	15.0 x 1.3 x 1.4	BD1300150	ORAR00014	12.42 x 1.78
16.0	13.0	4.1	5.5	0.25	16.0 x 1.5 x 1.4	BD1500160	OR2001200	12.00 x 2.00
16.0	13.4	3.8	5.2	0.25	16.0 x 1.3 x 1.4	BD1300160	ORAR00015	14.00 x 1.78
18.0	15.0	4.1	5.5	0.25	18.0 x 1.5 x 1.4	BD1500180	OR2001400	14.00 x 2.00
18.0	15.4	3.8	5.2	0.25	18.0 x 1.3 x 1.4	BD1300180	ORAR00016	15.60 x 1.78
20.0	17.0	4.1	5.5	0.25	20.0 x 1.5 x 1.4	BD1500200	OR2001600	16.00 x 2.00
20.0	17.4	3.8	5.2	0.25	20.0 x 1.3 x 1.4	BD1300200	ORAR00017	17.17 x 1.78
22.0	19.0	4.1	5.5	0.25	22.0 x 1.5 x 1.4	BD1500220	OR2001600	16.00 x 2.00
22.0	19.4	3.8	5.2	0.25	22.0 x 1.3 x 1.4	BD1300220	ORAR00018	18.77 x 1.78
25.0	22.0	4.1	5.5	0.25	25.0 x 1.5 x 1.4	BD1500250	OR2002100	21.00 x 2.00
25.0	22.4	3.8	5.2	0.25	25.0 x 1.3 x 1.4	BD1300250	ORAR00020	21.95 x 1.78
28.0	23.4	5.4	6.8	0.25	28.0 x 2.3 x 1.4	BD2300280	OR3002200	22.00 x 3.00
28.0	24.0	5.0	6.4	0.25	28.0 x 2.0 x 1.4	BD2000280	ORAR00119	23.47 x 2.62
30.0	25.4	5.4	6.8	0.25	30.0 x 2.3 x 1.4	BD2300300	OR3002400	24.00 x 2.00
30.0	26.0	5.0	6.4	0.25	30.0 x 2.0 x 1.4	BD2000300	ORAR00120	25.07 x 2.62
32.0	27.4	5.4	6.8	0.25	32.0 x 2.3 x 1.4	BD2300320	OR3002600	26.00 x 3.00
32.0	28.0	5.0	6.4	0.25	32.0 x 2.0 x 1.4	BD2000320	ORAR00121	26.64 x 2.62
35.0	30.4	5.4	6.8	0.25	35.0 x 2.3 x 1.4	BD2300350	OR3002900	29.30 x 3.00
35.0	31.0	5.0	6.4	0.25	35.0 x 2.0 x 1.4	BD2000350	ORAR00123	29.82 x 2.62
40.0	35.4	5.4	6.8	0.25	40.0 x 2.3 x 1.4	BD2300400	OR3003400	34.00 x 3.00
40.0	36.0	5.0	6.4	0.25	40.0 x 2.0 x 1.4	BD2000400	ORAR00126	34.59 x 2.62
42.0	37.4	5.4	6.8	0.25	42.0 x 2.3 x 1.4	BD2300420	OR3003600	36.00 x 3.00
42.0	38.0	5.0	6.4	0.25	42.0 x 2.0 x 1.4	BD2000420	ORAR00127	36.17 x 2.62
45.0	40.0	5.4	6.8	0.25	45.0 x 2.3 x 1.4	BD2300450	OR3003900	39.00 x 3.00
45.0	41.0	5.0	6.4	0.25	45.0 x 2.0 x 1.4	BD2000450	ORAR00129	39.34 x 2.62
48.0	41.8	6.9	8.6	0.25	48.0 x 3.1 x 1.7	BD3100480	OR4004000	40.00 x 4.00
48.0	42.6	6.2	7.6	0.25	48.0 x 2.7 x 1.4	BD2700480	ORAR00223	40.87 x 3.53
50.0	43.8	6.9	8.6	0.25	50.0 x 3.1 x 1.7	BD3100500	OR4004200	42.00 x 4.00
50.0	44.6	6.2	7.6	0.25	50.0 x 2.7 x 1.4	BD2700500	ORAR00224	44.04 x 3.53
52.0	45.8	6.9	8.6	0.25	52.0 x 3.1 x 1.7	BD3100520	OR4004400	44.00 x 4.00
52.0	46.6	6.2	7.6	0.25	52.0 x 2.7 x 1.4	BD2700520	ORAR00224	44.04 x 3.53

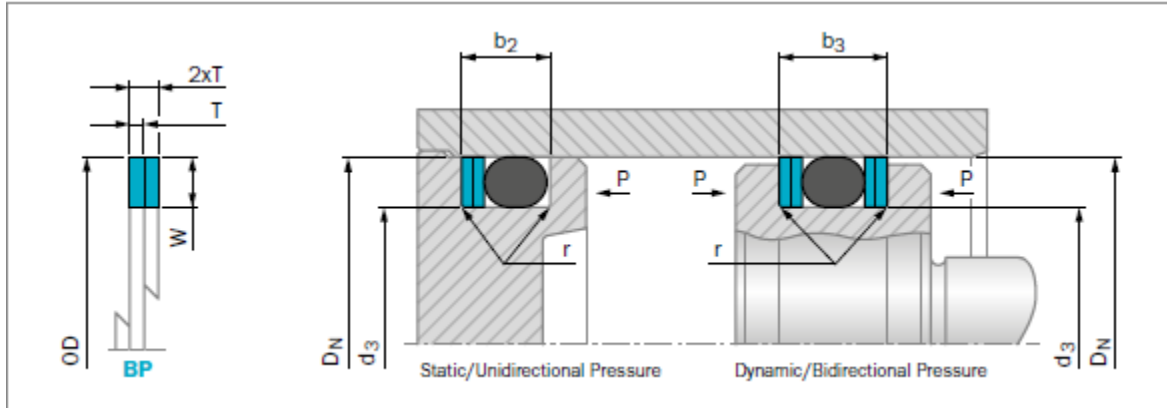
Bore Ø	Groove Ø	Groove width		Radius	Back-up Ring dimension	TSS Part No.	O-Ring TSS Part No.	O-Ring dimension
D <sub>N</sub> H8	d <sub>3</sub> h9	b <sub>2</sub> +0.25	b <sub>3</sub> +0.25	r ±0.2	OD x W x T			d <sub>1</sub> x d <sub>2</sub>
mm								
55.0	48.8	6.9	8.6	0.25	55.0 x 3.1 x 1.7	BD3100550	OR4004700	47.00 x 4.00
55.0	49.6	6.2	7.6	0.25	55.0 x 2.7 x 1.4	BD2700550	ORAR00225	47.22 x 3.53
60.0	53.8	6.9	8.6	0.25	60.0 x 3.1 x 1.7	BD3100600	OR4005200	52.00 x 4.00
60.0	54.6	6.2	7.6	0.25	60.0 x 2.7 x 1.4	BD2700600	ORAR00227	53.57 x 3.53
63.0	56.8	6.9	8.6	0.25	63.0 x 3.1 x 1.7	BD3100630	OR4005500	55.00 x 4.00
63.0	57.6	6.2	7.6	0.25	63.0 x 2.7 x 1.4	BD2700630	ORAR00228	56.74 x 3.53
65.0	58.8	6.9	8.6	0.25	65.0 x 3.1 x 1.7	BD3100650	OR4005700	57.00 x 4.00
65.0	59.6	6.2	7.6	0.25	65.0 x 2.7 x 1.4	BD2700650	ORAR00228	56.74 x 3.53
70.0	63.8	6.9	8.6	0.25	70.0 x 3.1 x 1.7	BD3100700	OR4006200	62.00 x 4.00
70.0	64.6	6.2	7.6	0.25	70.0 x 2.7 x 1.4	BD2700700	ORAR00230	63.09 x 3.53
75.0	68.8	6.9	8.6	0.25	75.0 x 3.1 x 1.7	BD3100750	OR4006700	67.00 x 4.00
75.0	69.6	6.2	7.6	0.25	75.0 x 2.7 x 1.4	BD2700750	ORAR00231	66.27 x 3.53
80.0	73.8	6.9	8.6	0.25	80.0 x 3.1 x 1.7	BD3100800	OR4007200	72.00 x 4.00
80.0	74.6	6.2	7.6	0.25	80.0 x 2.7 x 1.4	BD2700800	ORAR00233	72.62 x 3.53
85.0	78.8	6.9	8.6	0.25	85.0 x 3.1 x 1.7	BD3100850	OR4007700	77.00 x 4.00
85.0	79.6	5.2	7.6	0.25	85.0 x 2.7 x 1.4	BD2700850	ORAR00235	78.97 x 3.53
90.0	81.4	9.0	10.9	0.25	90.0 x 4.3 x 1.7	BD4300900	ORAR00338	78.74 x 5.33
90.0	82.0	8.3	10.0	0.25	90.0 x 4.0 x 1.7	BD4000900	OR5008000	80.00 x 5.00
95.0	86.4	9.0	10.9	0.25	95.0 x 4.3 x 1.7	BD4300950	ORAR00340	85.09 x 5.33
95.0	87.0	8.3	10.0	0.25	95.0 x 4.0 x 1.7	BD4000950	OR5008000	80.00 x 5.00
100.0	91.4	9.0	10.9	0.25	100.0 x 4.3 x 1.7	BD4301000	ORAR00342	91.44 x 5.33
100.0	92.0	8.3	10.0	0.25	100.0 x 4.0 x 1.7	BD4001000	OR5009000	90.00 x 5.00
105.0	96.4	9.0	10.9	0.25	105.0 x 4.3 x 1.7	BD4301050	ORAR00343	94.62 x 5.33
105.0	97.0	8.3	10.0	0.25	105.0 x 4.0 x 1.7	BD4001050	OR5009500	95.00 x 5.00
110.0	101.4	9.0	10.9	0.25	110.0 x 4.3 x 1.7	BD4301100	ORAR00345	100.97 x 5.33
110.0	102.0	8.3	10.0	0.25	110.0 x 4.0 x 1.7	BD4001100	OR5010000	100.00 x 5.00
115.0	106.4	9.0	10.9	0.25	115.0 x 4.3 x 1.7	BD4301150	ORAR00346	104.14 x 5.33
115.0	107.0	8.3	10.0	0.25	115.0 x 4.0 x 1.7	BD4001150	OR5010500	105.00 x 5.00
120.0	111.4	9.0	10.9	0.25	120.0 x 4.3 x 1.7	BD4301200	ORAR00348	110.49 x 5.33
120.0	112.0	8.3	10.0	0.25	120.0 x 4.0 x 1.7	BD4001200	OR5011000	110.00 x 5.00
125.0	116.4	9.0	10.9	0.25	125.0 x 4.3 x 1.7	BD4301250	ORAR00349	113.67 x 5.33
125.0	117.0	8.3	10.0	0.25	125.0 x 4.0 x 1.7	BD4001250	OR5011500	115.00 x 5.00
130.0	121.4	9.0	10.9	0.25	130.0 x 4.3 x 1.7	BD4301300	ORAR00351	120.02 x 5.33
130.0	122.0	8.3	10.0	0.25	130.0 x 4.0 x 1.7	BD4001300	OR5012000	120.00 x 5.00
135.0	123.4	12.3	15.1	0.25	135.0 x 5.8 x 2.5	BD5801350	ORAR00427	120.02 x 6.99
140.0	128.4	12.3	15.1	0.25	140.0 x 5.8 x 2.5	BD5801400	ORAR00429	126.37 x 6.99
150.0	138.4	12.3	15.1	0.25	150.0 x 5.8 x 2.5	BD5801500	ORAR00432	135.89 x 6.99
160.0	148.4	12.3	15.1	0.25	160.0 x 5.8 x 2.5	BD5801600	ORAR00435	145.42 x 6.99
170.0	158.4	12.3	15.1	0.25	170.0 x 5.8 x 2.5	BD5801700	ORAR00438	158.12 x 6.99
180.0	168.4	12.3	15.1	0.25	180.0 x 5.8 x 2.5	BD5801800	ORAR00439	164.47 x 6.99
190.0	178.4	12.3	15.1	0.25	190.0 x 5.8 x 2.5	BD5801900	ORAR00441	177.17 x 6.99
200.0	188.4	12.3	15.1	0.25	200.0 x 5.8 x 2.5	BD5802000	ORAR00442	183.52 x 6.99

Bore $\varnothing$	Groove $\varnothing$	Groove width		Radius	Back-up Ring dimension	TSS Part No.	O-Ring TSS Part No.	O-Ring dimension
		$b_2 +0.25$	$b_3 +0.25$					
$D_N$ H8	$d_3$ h9							
mm								
210.0	198.4	12.3	15.1	0.25	210.0 x 5.8 x 2.5	<a href="#">BD5802100</a>	ORAR00444	196.22 x 6.99
220.0	208.4	12.3	15.1	0.25	220.0 x 5.8 x 2.5	<a href="#">BD5802200</a>	ORAR00445	202.57 x 6.99
230.0	218.4	12.3	15.1	0.25	230.0 x 5.8 x 2.5	<a href="#">BD5802300</a>	ORAR00446	215.27 x 6.99
240.0	228.4	12.3	15.1	0.25	240.0 x 5.8 x 2.5	<a href="#">BD5802400</a>	ORAR00447	227.97 x 6.99
250.0	238.4	12.3	15.1	0.25	250.0 x 5.8 x 2.5	<a href="#">BD5802500</a>	ORAR00448	240.67 x 6.99
280.0	268.4	12.3	15.1	0.25	280.0 x 5.8 x 2.5	<a href="#">BD5802800</a>	ORAR00450	266.07 x 6.99
300.0	288.4	12.3	15.1	0.25	300.0 x 5.8 x 2.5	<a href="#">BD5803000</a>	ORAR00451	278.77 x 6.99
320.0	308.4	12.3	15.1	0.25	320.0 x 5.8 x 2.5	<a href="#">BD5803200</a>	ORAR00453	304.17 x 6.99
350.0	338.4	12.3	15.1	0.25	350.0 x 5.8 x 2.5	<a href="#">BD5803500</a>	ORAR00455	329.57 x 6.99
400.0	388.4	12.3	15.1	0.25	400.0 x 5.8 x 2.5	<a href="#">BD5804000</a>	ORAR00459	380.37 x 6.99
420.0	408.4	12.3	15.1	0.25	420.0 x 5.8 x 2.5	<a href="#">BD5804200</a>	ORAR00461	405.26 x 6.99
450.0	438.4	12.3	15.1	0.25	450.0 x 5.8 x 2.5	<a href="#">BD5804500</a>	ORAR00463	430.66 x 6.99
480.0	468.4	12.3	15.1	0.25	480.0 x 5.8 x 2.5	<a href="#">BD5804800</a>	ORAR00465	456.06 x 6.99
500.0	488.4	12.3	15.1	0.25	500.0 x 5.8 x 2.5	<a href="#">BD5805000</a>	ORAR00467	481.46 x 6.99



## SPIRAL BACK-UP RING TYPES (BP), MATERIAL PTFE

The following figure and tables include installation recommendations and Back-up Ring dimensions for external sealing applications with the spiral Back-up Ring types BP.



Installation dimensions for the spiral Back-up Ring type, External sealing, material PTFE – Metric

O-Ring Cross-Section-Ø $d_2$	Back-up Ring Cross-Section			Groove dimensions				
	Radial height W		Thickness T	Groove diameter $d_3$ h9		Groove width		Radius
	Dynamic	Static	T	Dynamic	Static	$b_2 + 0.25$	$b_3 + 0.25$	$r \pm 0.2$
mm								
1.50	1.25	1.10	0.50	$D_N - 2.5$	$D_N - 2.2$	3.0	4.0	0.25
1.60	1.30	1.20	0.50	$D_N - 2.6$	$D_N - 2.4$	3.1	4.1	0.25
1.78	1.45	1.30	0.70	$D_N - 2.9$	$D_N - 2.6$	3.8	5.2	0.25
1.80	1.45	1.30	0.70	$D_N - 2.9$	$D_N - 2.6$	3.8	5.2	0.25
2.00	1.65	1.50	0.70	$D_N - 3.3$	$D_N - 3.0$	4.1	5.5	0.25
2.40	2.05	1.80	0.70	$D_N - 4.1$	$D_N - 3.6$	4.6	6.0	0.25
2.50	2.15	1.90	0.70	$D_N - 4.3$	$D_N - 3.8$	4.7	6.1	0.25
2.62	2.25	2.00	0.70	$D_N - 4.5$	$D_N - 4.0$	5.0	6.4	0.25
2.65	2.25	2.00	0.70	$D_N - 4.5$	$D_N - 4.0$	5.0	6.4	0.25
3.00	2.60	2.30	0.70	$D_N - 5.2$	$D_N - 4.6$	5.4	6.8	0.25
3.53	3.10	2.70	0.70	$D_N - 6.2$	$D_N - 5.4$	6.2	7.6	0.25
3.55	3.10	2.70	0.70	$D_N - 6.2$	$D_N - 5.4$	6.2	7.6	0.25
4.00	3.50	3.10	0.85	$D_N - 7.0$	$D_N - 6.2$	6.9	8.6	0.25
5.00	4.40	4.00	0.85	$D_N - 8.8$	$D_N - 8.0$	8.3	10.0	0.25
5.30	4.70	4.30	0.85	$D_N - 9.4$	$D_N - 8.6$	9.0	10.9	0.25
5.33	4.70	4.30	0.85	$D_N - 9.4$	$D_N - 8.6$	9.0	10.9	0.25
5.70	5.00	4.60	0.85	$D_N - 10.0$	$D_N - 9.2$	9.0	11.0	0.25
6.00	5.30	4.90	0.85	$D_N - 10.6$	$D_N - 9.8$	9.3	11.2	0.25
6.99	6.10	5.80	1.25	$D_N - 12.2$	$D_N - 11.6$	12.3	15.1	0.25
8.00	7.10	6.70	1.25	$D_N - 14.2$	$D_N - 13.4$	12.6	15.4	0.25
8.40	7.50	7.10	1.25	$D_N - 15.0$	$D_N - 14.2$	12.8	15.6	0.25

Preferred series for dynamic application, spiral Back-up Ring Type BP, External sealing, material PTFE – Metric

Bore Ø	Groove Ø	Groove width		Radi- us	Back-up Ring dimension	TSS Part No.	O-Ring TSS Part No.	O-Ring dimension
		$b_2 + 0.25$	$b_3 + 0.25$					
mm								
6.0	3.1	3.8	5.2	0.25	6.0 x 1.45 x 0.70	BP14H00031	ORAR00006	2.90 x 1.78
6.0	3.5	3.0	4.0	0.25	6.0 x 1.25 x 0.50	BP12H00035	OR1500300	3.00 x 1.50
8.0	5.1	3.8	5.2	0.25	8.0 x 1.45 x 0.70	BP14H00051	ORAR00008	4.47 x 1.78
8.0	5.5	3.0	4.0	0.25	8.0 x 1.25 x 0.50	BP12H00055	OR1500500	5.00 x 1.50
10.0	7.1	3.8	5.2	0.25	10.0 x 1.45 x 0.70	BP14H00071	ORAR00011	7.65 x 1.78
10.0	7.5	3.0	4.0	0.25	10.0 x 1.45 x 0.50	BP12H00075	OR1500700	7.00 x 1.50
12.0	8.7	4.1	5.5	0.25	12.0 x 1.65 x 0.70	BP16H00087	OR2000800	8.00 x 2.00
12.0	9.1	3.8	5.2	0.25	12.0 x 1.45 x 0.70	BP14H00091	ORAR00012	9.25 x 1.78
14.0	10.7	4.1	5.5	0.25	14.0 x 1.65 x 0.70	BP16H00107	OR2001000	10.00 x 2.00
14.0	11.1	3.8	5.2	0.25	14.0 x 1.45 x 0.70	BP14H00111	ORAR00013	10.82 x 1.78
15.0	11.7	4.1	5.5	0.25	15.0 x 1.65 x 0.70	BP16H00117	OR2001100	11.00 x 2.00
15.0	12.1	3.8	5.2	0.25	15.0 x 1.45 x 0.70	BP14H00121	ORAR00014	12.42 x 1.78
16.0	12.7	4.1	5.5	0.25	16.0 x 1.65 x 0.70	BP16H00127	OR2001200	12.00 x 2.00
16.0	13.1	3.8	5.2	0.25	16.0 x 1.45 x 0.70	BP14H00131	ORAR00015	14.00 x 1.78
18.0	14.7	4.1	5.5	0.25	18.0 x 1.65 x 0.70	BP16H00147	OR2001400	14.00 x 2.00
18.0	15.1	3.8	5.2	0.25	18.0 x 1.45 x 0.70	BP14H00151	ORAR00016	15.60 x 1.78
20.0	16.7	4.1	5.5	0.25	20.0 x 1.65 x 0.70	BP16H00167	OR2001600	16.00 x 2.00
20.0	17.1	3.8	5.2	0.25	20.0 x 1.45 x 0.70	BP14H00171	ORAR00017	17.17 x 1.78
22.0	18.7	4.1	5.5	0.25	22.0 x 1.65 x 0.70	BP16H00187	OR2001800	18.00 x 2.00
22.0	19.1	3.8	5.2	0.25	22.0 x 1.45 x 0.70	BP14H00191	ORAR00018	18.77 x 1.78
25.0	21.7	4.1	5.5	0.25	25.0 x 1.65 x 0.70	BP16H00217	OR2002100	21.00 x 2.00
25.0	22.1	3.8	5.2	0.25	25.0 x 1.45 x 0.70	BP14H00221	ORAR00020	21.95 x 1.78
28.0	22.8	5.4	6.8	0.25	28.0 x 2.60 x 0.70	BP2600228	OR3002200	22.00 x 3.00
28.0	23.5	5.0	6.4	0.25	28.0 x 2.25 x 0.70	BP22H00235	ORAR00119	23.47 x 2.62
30.0	24.8	5.4	6.8	0.25	30.0 x 2.60 x 0.70	BP2600248	OR3002400	24.00 x 3.00
30.0	25.5	5.0	6.4	0.25	30.0 x 2.25 x 0.70	BP22H00255	ORAR00120	25.07 x 2.62
32.0	26.8	5.4	6.8	0.25	32.0 x 2.60 x 0.70	BP2600268	OR3002600	26.00 x 3.00
35.0	29.8	5.4	6.8	0.25	35.0 x 2.60 x 0.70	BP2600298	OR3002900	29.00 x 3.00
35.0	30.5	5.0	6.4	0.25	35.0 x 2.25 x 0.70	BP22H00305	ORAR00123	29.82 x 2.62
40.0	34.8	5.4	6.8	0.25	40.0 x 2.60 x 0.70	BP2600348	OR3003400	34.00 x 3.00
40.0	35.5	5.0	6.4	0.25	40.0 x 2.25 x 0.70	BP22H00355	ORAR00126	34.59 x 2.62
42.0	36.8	5.4	6.8	0.25	42.0 x 2.60 x 0.70	BP2600368	OR3003600	36.00 x 3.00
42.0	37.5	5.0	6.4	0.25	42.0 x 2.25 x 0.70	BP22H00375	ORAR00127	36.17 x 2.62
45.0	39.8	5.4	6.8	0.25	45.0 x 2.60 x 0.70	BP2600398	OR3003900	39.00 x 3.00
48.0	41.0	6.9	8.6	0.25	48.0 x 3.50 x 0.85	BP3500410	OR4004000	40.00 x 4.00
48.0	41.8	6.2	7.6	0.25	48.0 x 3.10 x 0.70	BP31D0418	ORAR00223	40.87 x 3.53
50.0	43.0	6.9	8.6	0.25	50.0 x 3.50 x 0.85	BP3500430	OR4004200	42.00 x 4.00
50.0	43.8	6.2	7.6	0.25	50.0 x 3.10 x 0.70	BP31D0438	ORAR00224	44.04 x 3.53
52.0	45.0	6.9	8.6	0.25	52.0 x 3.50 x 0.85	BP3500450	OR4004400	44.00 x 4.00

Bore Ø	Groove Ø	Groove width		Radi- us	Back-up Ring dimension	TSS Part No.	O-Ring TSS Part No.	O-Ring dimension
		$b_2 +0.25$	$b_3 +0.25$					
mm								
52.0	45.8	6.2	7.6	0.25	52.0 x 3.10 x 0.70	BP31D0458	ORAR00224	44.04 x 3.53
55.0	48.0	6.9	8.6	0.25	55.0 x 3.50 x 0.85	BP3500480	OR4004700	47.00 x 4.00
55.0	48.8	6.2	7.6	0.25	55.0 x 3.10 x 0.70	BP31D0488	ORAR00225	47.22 x 3.53
60.0	53.0	6.9	8.6	0.25	60.0 x 3.50 x 0.85	BP3500530	OR4005200	52.00 x 4.00
60.0	53.8	6.2	7.6	0.25	60.0 x 3.10 x 0.70	BP31D0538	ORAR00227	53.57 x 3.53
63.0	56.0	6.9	8.6	0.25	63.0 x 3.50 x 0.85	BP3500560	OR4005500	55.00 x 4.00
63.0	56.8	6.2	7.6	0.25	63.0 x 3.10 x 0.70	BP31D0568	ORAR00228	56.74 x 3.53
65.0	58.0	6.9	8.6	0.25	65.0 x 3.50 x 0.85	BP3500580	OR4005700	57.00 x 4.00
65.0	58.8	6.2	7.6	0.25	65.0 x 3.10 x 0.70	BP31D0588	ORAR00228	56.74 x 3.53
70.0	63.0	6.9	8.6	0.25	70.0 x 3.50 x 0.85	BP3500630	OR4006200	62.00 x 4.00
70.0	63.8	6.2	7.6	0.25	70.0 x 3.10 x 0.70	BP31D0638	ORAR00230	63.09 x 3.53
75.0	68.0	6.9	8.6	0.25	75.0 x 3.50 x 0.85	BP3500680	OR4006700	67.00 x 4.00
75.0	68.8	6.2	7.6	0.25	75.0 x 3.10 x 0.70	BP31D0688	ORAR00231	66.27 x 3.53
80.0	73.0	6.9	8.6	0.25	80.0 x 3.50 x 0.85	BP3500730	OR4007200	72.00 x 4.00
80.0	73.8	6.2	7.6	0.25	80.0 x 3.10 x 0.70	BP31D0738	ORAR00233	72.62 x 3.53
85.0	78.0	6.9	8.6	0.25	85.0 x 3.50 x 0.85	BP3500780	OR4007700	77.00 x 4.00
85.0	78.8	6.2	7.6	0.25	85.0 x 3.10 x 0.70	BP31D0788	ORAR00235	78.97 x 3.53
90.0	80.6	9.0	10.9	0.25	90.0 x 4.70 x 0.85	BP4700806	ORAR00338	78.74 x 5.33
90.0	81.2	8.3	10.0	0.25	90.0 x 4.40 x 0.85	BP4400812	OR5008000	80.00 x 5.00
95.0	85.6	9.0	10.9	0.25	95.0 x 4.70 x 0.85	BP4700856	ORAR00340	85.09 x 5.33
95.0	86.2	8.3	10.0	0.25	95.0 x 4.40 x 0.85	BP4400862	OR5008500	85.00 x 5.00
100.0	90.6	9.0	10.9	0.25	100.0 x 4.70 x 0.85	BP4700906	ORAR00342	91.44 x 5.33
100.0	91.2	8.3	10.0	0.25	100.0 x 4.40 x 0.85	BP4400912	OR5009000	90.00 x 5.00
105.0	95.6	9.0	10.9	0.25	105.0 x 4.70 x 0.85	BP4700956	ORAR00343	94.62 x 5.33
105.0	96.2	8.3	10.0	0.25	105.0 x 4.40 x 0.85	BP4400962	OR5009500	95.00 x 5.00
110.0	100.6	9.0	10.9	0.25	110.0 x 4.70 x 0.85	BP4701006	ORAR00345	100.97 x 5.33
110.0	101.2	8.3	10.0	0.25	110.0 x 4.40 x 0.85	BP4401012	OR5010000	100.00 x 5.00
115.0	105.6	9.0	10.9	0.25	115.0 x 4.70 x 0.85	BP4701056	ORAR00346	104.14 x 5.33
115.0	106.2	8.3	10.0	0.25	115.0 x 4.40 x 0.85	BP4401062	OR5010500	105.00 x 5.00
120.0	110.6	9.0	10.9	0.25	120.0 x 4.70 x 0.85	BP4701106	ORAR00348	110.49 x 5.33
120.0	111.2	8.3	10.0	0.25	120.0 x 4.40 x 0.85	BP4401112	OR5011000	110.00 x 5.00
125.0	115.6	9.0	10.9	0.25	125.0 x 4.70 x 0.85	BP4701156	ORAR00349	113.67 x 5.33
125.0	116.2	8.3	10.0	0.25	125.0 x 4.40 x 0.85	BP4401162	OR5011500	115.00 x 5.00
130.0	120.6	9.0	10.9	0.25	130.0 x 4.70 x 0.85	BP4701206	ORAR00351	120.02 x 5.33
130.0	121.2	8.3	10.0	0.25	130.0 x 4.40 x 0.85	BP4401212	OR5012000	120.00 x 5.00
135.0	122.8	12.3	15.1	0.25	135.0 x 6.10 x 1.25	BP6101228	ORAR00427	120.02 x 6.99
140.0	127.8	12.3	15.1	0.25	140.0 x 6.10 x 1.25	BP6101278	ORAR00429	126.37 x 6.99
150.0	137.8	12.3	15.1	0.25	150.0 x 6.10 x 1.25	BP6101378	ORAR00432	135.89 x 6.99
160.0	147.8	12.3	15.1	0.25	160.0 x 6.10 x 1.25	BP6101478	ORAR00435	145.42 x 6.99
170.0	157.8	12.3	15.1	0.25	170.0 x 6.10 x 1.25	BP6101578	ORAR00438	158.12 x 6.99
180.0	167.8	12.3	15.1	0.25	180.0 x 6.10 x 1.25	BP6101678	ORAR00439	164.47 x 6.99
190.0	177.8	12.3	15.1	0.25	190.0 x 6.10 x 1.25	BP6101778	ORAR00441	177.17 x 6.99

Bore ø	Groove ø	Groove width		Radi- us	Back-up Ring dimension	TSS Part No.	O-Ring TSS Part No.	O-Ring dimension
		$b_2 +0.25$	$b_3 +0.25$					
mm								
200.0	187.8	12.3	15.1	0.25	200.0 x 6.10 x 1.25	<a href="#">BP6101878</a>	ORAR00442	183.52 x 6.99
210.0	197.8	12.3	15.1	0.25	210.0 x 6.10 x 1.25	<a href="#">BP6101978</a>	ORAR00444	196.22 x 6.99
220.0	207.8	12.3	15.1	0.25	220.0 x 6.10 x 1.25	<a href="#">BP6102078</a>	ORAR00445	202.57 x 6.99
230.0	217.8	12.3	15.1	0.25	230.0 x 6.10 x 1.25	<a href="#">BP6102178</a>	ORAR00446	215.27 x 6.99
240.0	227.8	12.3	15.1	0.25	240.0 x 6.10 x 1.25	<a href="#">BP6102278</a>	ORAR00447	227.97 x 6.99
250.0	237.8	12.3	15.1	0.25	250.0 x 6.10 x 1.25	<a href="#">BP6102378</a>	ORAR00448	240.67 x 6.99
280.0	267.8	12.3	15.1	0.25	280.0 x 6.10 x 1.25	<a href="#">BP6102678</a>	ORAR00450	266.07 x 6.99
300.0	287.8	12.3	15.1	0.25	300.0 x 6.10 x 1.25	<a href="#">BP6102878</a>	ORAR00451	278.77 x 6.99
320.0	307.8	12.3	15.1	0.25	320.0 x 6.10 x 1.25	<a href="#">BP6103078</a>	ORAR00453	304.17 x 6.99
350.0	337.8	12.3	15.1	0.25	350.0 x 6.10 x 1.25	<a href="#">BP6103378</a>	ORAR00455	329.57 x 6.99
400.0	387.8	12.3	15.1	0.25	400.0 x 6.10 x 1.25	<a href="#">BP6103878</a>	ORAR00459	380.37 x 6.99
420.0	407.8	12.3	15.1	0.25	420.0 x 6.10 x 1.25	<a href="#">BP6104078</a>	ORAR00461	405.26 x 6.99
450.0	437.8	12.3	15.1	0.25	450.0 x 6.10 x 1.25	<a href="#">BP6104378</a>	ORAR00463	430.66 x 6.99
480.0	467.8	12.3	15.1	0.25	480.0 x 6.10 x 1.25	<a href="#">BP6104678</a>	ORAR00465	456.06 x 6.99
500.0	487.8	12.3	15.1	0.25	500.0 x 6.10 x 1.25	<a href="#">BP6104878</a>	ORAR00467	481.46 x 6.99